

IQV-EX-SSWT SERIES EXPLOSION PROOF WASHER SYSTEM

Integrated with ATEX/IECEX Certified Solenoid Valve

The Bergen Security IQV-EX-SSWT Series is a Class II explosion-proof engineered to enhance CCTV performance in the harshest environments. It features an airtight 10L reservoir tank combined with an explosion-proof solenoid valve, all protected by a robust AISI 316L stainless steel cabinet. The reservoir is pressurized using a manually operated pump, allowing liquid to be released by activating the solenoid valve for reliable camera cleaning.

Certified to meet stringent safety standards for explosive gases and combustible dust, it ensures dependable operation in onshore, offshore, marine, and heavy industrial conditions.



FEATURES

- Certification for Hazardous Areas ATEX/IECEX
- Ingress Protection Level of IP67
- Compatible with 3rd Party Camera Housings
- Stainless Steel AISI 316L
- Easy Installation and Maintenance
- Seamless Integration with Bergen Security Camera Stations
- Applicable for Zone 1, Zone 2, Zone 21, and Zone 22



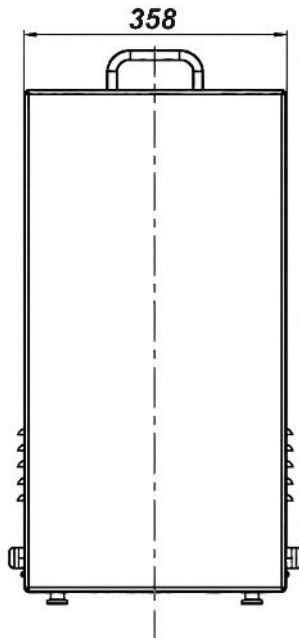
TECHNICAL INFORMATION

GENERAL & MECHANICAL	
Dimension	700 x 400 x 236 (mm)
Ingress Protection	IP67 (Solenoid Valve)
Relative Humidity	≤95% (Non-condensing)
Atmosphere Pressure	80kPa – 110kPa
Ambient Temperature	-40°C - +60°C
Power Consumption	8W (maximum)
Cabinet Material	316L Stainless Steel
Tank Capacity	10 litres / 2.6 gal
Operating Voltages	24VAC/DC (+/-10%)
Operating Pressure	4 Bar (maximum)
Spray Height	10 m
Delivery Head	Up to 20 metres
Weight (empty/full)	Approximately 12kg/26.46lbs, 22kg/48.5lbs
Cable Gland Entries	M20 x 1.5 (2 entries)

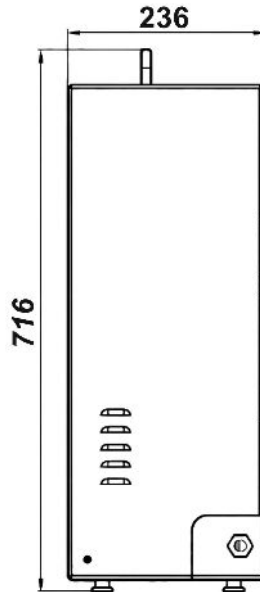
CERTIFICATIONS & RATINGS	
ATEX Rating	II 2 G IIC T6
IECEX Rating	Ex 60079-46 IIC T6 Gb
IECEX Standard	IEC 60079-0:2017 IEC TS 60079-46:2017 ISO 80079-36:2016
Solenoid Valve	Ex II 2G Ex db IIC T6 Gb / Ex II 2D Ex tb IIC T80°C Db

DIMENSIONS

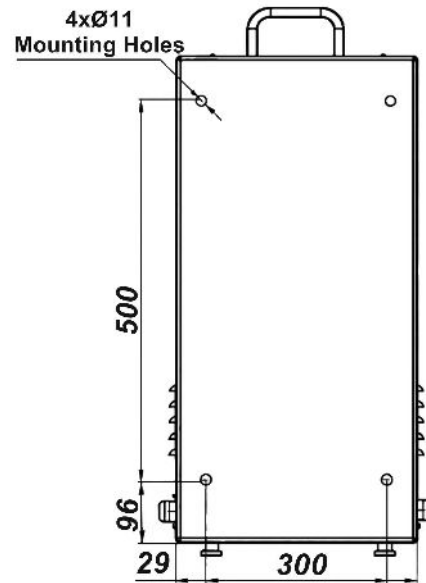
Front View



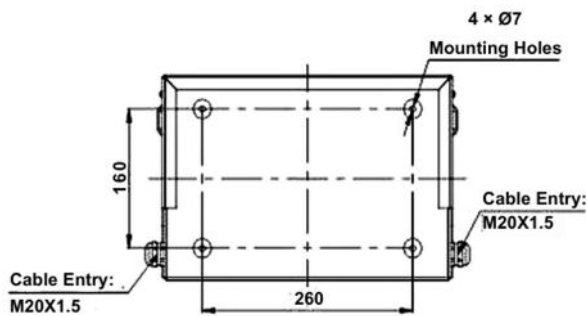
Side View



Mounting Pattern



Vertical View



Internal Schematic Diagram

