

IQV-AC-535 SERIES

CORROSION PROOF FIXED BULLET CAMERA

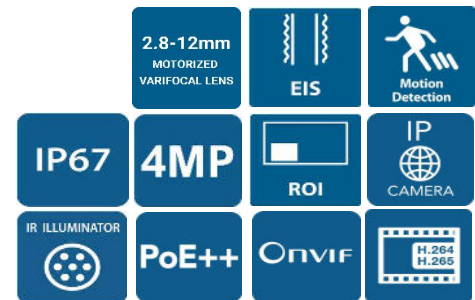
with 4MP Motorized Varifocal Lens (2.8–12 mm), ONVIF Compliant

The IQV-AC-535 Series Fixed Bullet Camera is built for mission-critical surveillance in demanding environments. It integrates a 4MP motorized varifocal lens (2.8–12 mm) and delivers real-time Full HD video with exceptional clarity. Designed for flexible field-of-view adjustment and reliable low-light performance, it features high sensitivity imaging and supports ONVIF for seamless integration. Its rugged, corrosion-resistant aluminum housing ensures reliable operation in extreme weather and industrial conditions. The enclosure is certified to IP67 for superior protection against water, dust, and harsh environments. Ideal for perimeter defense, critical infrastructure, and industrial site monitoring.



Additional Features

- Rugged Anti-Corrosion Aluminum Body
- IP67-Rated Weatherproof and Dustproof Protection
- Starlight-Level Low-Light Imaging
- True Day/Night Function
- Real-Time 4MP (2688×1520) Output
- Intelligent Video Analytics: Intrusion, Line Crossing, Loitering, Illegal Access and Audio Detection
- Electronic Image Stabilization
- ONVIF Compatibility



TECHNICAL INFORMATION

GENERAL & MECHANICAL	
Operating Temperature	-40°C to +65°C
Ingress Protection	IP67 (Dustproof and Waterproof)
Operating Voltages	DC 12V ±15%, PoE (IEEE 802.3at, Class 4)
Power Consumption	≤36W
Surge Protection	TVS 4000V Lightning and Surge Protection
Material	High-Strength Die-Cast Aluminum Alloy Shell
Relative Humidity	≤90% (non-condensing)
LED Illumination	Up to 30 meters
Mounting Options	Wall mount
Dimensions (L × W × H)	403.5mm × 160mm × 130mm
Weight	Approximately 3.0 kg

CERTIFICATION & COMPLIANCE				
Certifications	CE, FCC			
NETWORK				
Interface	RJ45 10Base-T/100Base-TX			
ONVIF	ONVIF (Profile S, Profile G)			
Protocols	TCP/IP, ICMP, HTTP, HTTPS, FTP, DHCP, DNS, RTP, RTSP, RTCP, NTP, SMTP, SNMP, IPv6			
DORI				
Zoom Position	Detect	Observe	Recognize	Identify
Wide (2.8 mm)	55.0m	22.0m	11.0m	5.5m
Tele (12 mm)	178.0m	71.0m	36.0m	18.0m

*DORI distances are provided for reference only. Actual performance may vary depending on installation and environmental conditions.

IQV-AC-535 SERIES

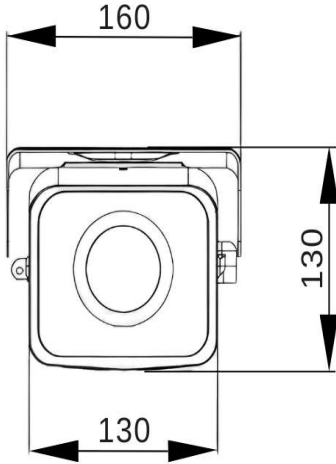
CORROSION PROOF FIXED BULLET CAMERA

TECHNICAL INFORMATION

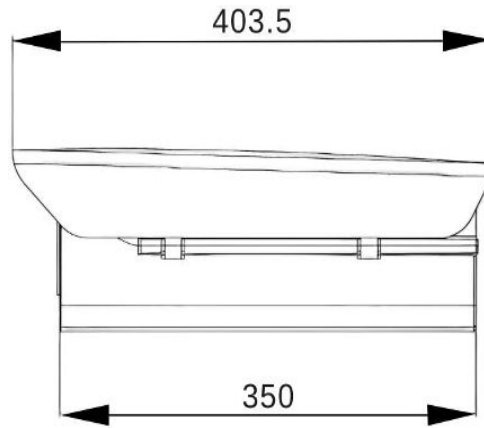
VISUAL CAMERA	
Image Sensor	4MP, 1/2.8" Progressive Scan CMOS
Resolution	2688×1520 pixels
Frame Rate	<p>Main Stream: 25fps (2688×1520, 2560×1440, 1920×1080, 1280×960, 1280×720) at 50Hz; 30fps (2688×1520, 2560×1440, 1920×1080, 1280×960, 1280×720) at 60Hz</p> <p>Sub Stream: 25fps (704×576, 640×480, 352×288) at 50Hz; 30fps (704×480, 640×480, 352×240) at 60Hz</p> <p>Third Stream: 25fps (1280×720, 704×576, 640×480, 352×288) at 50Hz; 30fps (1280×720, 704×480, 640×480, 352×240) at 60Hz</p>
Compression	<p>Video: H.265, H.264 Video Bit Rate: 32Kbps~16Mbps</p> <p>Audio: G.711a, G.711u, G.722.1, G.726, MP2L2, AAC, PCM Audio Bit Rate: 64Kbps (G.711), 16Kbps (G.722.1, G.726), 32~192Kbps (MP2L2), 16~64Kbps (AAC)</p>
Minimum Illumination	Color: 0.001 Lux @(F1.8, AGC ON); B/W: 0.0005 Lux @(F1.8, AGC ON)
Shutter Speed	1/25~1/100,000s
Signal-to-Noise Ratio	≥54dB
Wide Dynamic Range	120dB
Digital Noise Reduction	3D DNR
Day and Night	Auto/Manual
Lens	<p>Focal Length: 2.8~12mm Lens Type: Motorized Varifocal Digital Zoom: 16x Horizontal Field of View: 95.68°~29.39° Vertical Field of View: 51.00°~16.63° Aperture: F1.8~F3.5 Minimum Focus Distance: 100mm~1500mm Iris Control: Auto</p>
Image Settings	Color, Brightness, Sharpness, Contrast, Electronic Image Stabilization, Privacy Masking, On-Screen Display, Region of Interest
On-board Storage	microSD/SDHC/SDXC slot (up to 256 GB) NAS (NFS, SMB/CIFS)
Events and Analytics	Motion Detection, Video Tampering Detection Disk Exception Detection, Illegal Access Detection, Intrusion Detection, Line Crossing Detection, Region Entry / Exit Detection, Loitering Detection, Audio Detection

DIMENSIONS

Front View



Side View



Bottom View

