

IQV-AC-209 SERIES

CORROSION PROOF PTZ BI-SPECTRUM CAMERA

with 2MP 36x Optical Zoom and 640x512 Thermal Imaging, ONVIF Compliant
Part Number: IQV-AC-209-TH958A69WT

The IQV-AC-209 Series PTZ Bi-Spectrum Camera is engineered for mission-critical applications in demanding environments, delivering reliable visual and thermal monitoring in one integrated system. It features a 2MP optical camera with 36x optical zoom and a 640x512 high-resolution thermal sensor with a 12µm pixel pitch, enabling long-range imaging. Designed for proactive threat detection, the camera supports smart analytics such as event detection functions such as intrusion detection, line crossing detection, and motion-based alerts. Its rugged, marine-grade aluminum housing ensures durability in extreme weather conditions and offers comprehensive protection against dust, water, lightning, and surge, certified to IP67 standards. Ideal for perimeter defense, industrial safety, and asset protection.

INQUIVISION
PUSHING FORWARD LOOKING PERFORMANCE



Additional Features

- Rugged Anti-Corrosion Aluminum Body
- IP67-Rated Weatherproof and Dustproof Protection
- True Day/Night Function
- Real-Time Full HD (1080p) Output
- 12µm Thermal Imaging Sensor with Long-Range Detection
- AI-Powered Human and Vehicle Classification
- Smart Analytic: Illegal Access, Intrusion, Line Crossing, Loitering, Audio Anomaly, Region Entrance/Exit Detection
- Electronic Image Stabilization
- ONVIF Compatibility

TECHNICAL INFORMATION

GENERAL & MECHANICAL	
Operating Temperature	-20°C to +60°C
Ingress Protection	IP67 (Dustproof and Waterproof)
Operating Voltages	DC 10-24V, PoE (IEEE 802.3bt, Class 6)
Power Consumption	≤30W
Surge Protection	TVS 6000V Lightning and Surge Protection
Material	High-Strength Die-Cast Aluminum Alloy Shell
Relative Humidity	≤90% (non-condensing)
IR Illumination	Up to 50 meters
Mounting Options	Pole-top mount
Dimensions (Φ × H)	Φ160mm × 243.8mm
Weight	Approximately 4.5 kg

CERTIFICATION & COMPLIANCE	
Certifications	CE, FCC
PTZ SPECIFICATION	
Pan Range	360° Endless
Pan Speed	0.05°/s – 80°/s
Tilt Range	-20° to +90° (Auto-Flip)
Tilt Speed	0.05°/s – 60°/s
Preset Position	Up to 255 Presets
Patrol / Tours	Up to 8 Programmable Tours
Park Action	Pattern / Preset / Scan / Tour
Optical Zoom	36x Optical Zoom
Digital Zoom	16x Digital Zoom

IQV-AC-209 SERIES CORROSION PROOF PTZ BI-SPECTRUM CAMERA

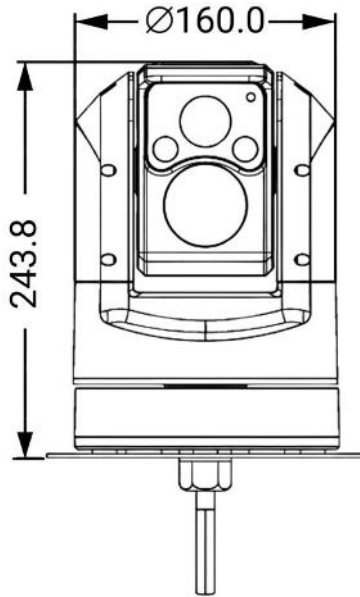
TECHNICAL INFORMATION

VISUAL CAMERA					THERMAL CAMERA		
Image Sensor	2MP, 1/2.8" Progressive Scan CMOS				Image Sensor	Vanadium Oxide Uncooled FPA	
Resolution	1920×1080 pixels				Resolution	640×512 pixels	
Frame Rate	Main Stream: 25fps (1920×1080, 1280×960, 1280×720) at 50Hz; 30fps (1920×1080, 1280×960, 1280×720) at 60Hz Sub Stream: 25fps (704×576, 640×480, 352×288) at 50Hz; 30fps (704×480, 640×480, 352×240) at 60Hz Third Stream: 25fps (704×576, 640×480, 352×288) at 50Hz; 30fps (704×480, 640×480, 352×240) at 60Hz				Spectral Range	8~14μm	
Compression	Video: H.265, H.264 Video Bit Rate: 32Kbps~16Mbps Audio: G.711a, G.711u, G.722.1, G.726, MP2L2, AAC, PCM Audio Bit Rate: 64Kbps (G.711), 16Kbps (G.722.1, G.726), 32~192Kbps (MP2L2), 16~64Kbps (AAC)				Pixel Pitch	12μm	
Minimum Illumination	Color: 0.0005 Lux @(F1.67, AGC ON); B/W: 0.0001 Lux @(F1.67, AGC ON)				NETD	≤35 mK (@F1.0, 25°C)	
Shutter Speed	1/25~1/100,000s; Supports Delayed Shutter				Focus Mode	Athermalized Fixed Focus	
Day/Night Mode	True Day/Night with IR-Cut Filter (ICR)				Focal Length	25mm	
Lens	Focal Length: 5.1mm~180mm Optical Zoom: 36x Digital Zoom: 16x Field of View: 55.27°×32.26° to 32.26°×1.51° Aperture: F1.67~F3.67 Close Focus Distance: 100mm~1500mm				Field Of View (FOV)	17.4°×14°	
Image Settings	Color, Brightness, Sharpness, Contrast, Electronic Image Stabilization				Color Palettes	16 Modes	
Analytics	Motion Detection, Video Tampering Detection, Illegal Access Detection, Intrusion Detection, Line Crossing Detection, Loitering Detection, Crowd Gathering Detection, Audio Anomaly Detection, Region Entrance/Exit Detection, Human and Vehicle Classification				Video Compression	H.265/H.264/MJPEG	
DORI					Main Stream	25fps (1920×1080, 1280×1024, 640×512) at 50Hz	
Zoom Position	Detect	Observe	Recognize	Identify	Sub-Stream	25fps (640×512) at 50Hz	
Wide (5.1 mm)	73.3m	29.3m	14.7m	7.3m	LENS SELECTION (OPTION)		
Tele (180 mm)	2700.0m	1080.0m	540.0m	270.0m	Lens	FOV (H × V) [°] @ 640×512	Minimum Focus Distance
					9mm	48.6° × 38.6°	0.114 m
					13mm	32.9° × 26.6°	0.164 m
					19mm	22.9° × 18.4°	0.240 m
					25mm	17.4° × 14.0°	0.316 m
					NETWORK		
					Interface	RJ45 10Base-T/100Base-TX	
					ONVIF	ONVIF (Profile S, Profile G)	
					Protocols	TCP/IP, ICMP, HTTP, HTTPS, FTP, DHCP, DNS, RTP, RTSP, RTCP, NTP, SMTP, SNMP, IPv6	

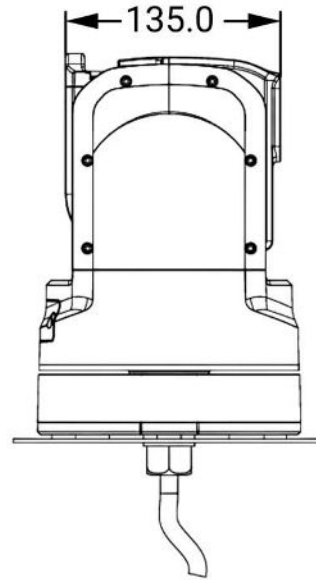
*DORI distances are provided for reference only. Actual performance may vary depending on installation and environmental conditions.

DIMENSIONS

Front View



Side View



Bottom View

