

## IQV-AC-203 SERIES

### CORROSION PROOF PTZ BI-SPECTRUM CAMERA

with 2MP 36× Optical Zoom and 640×512 Thermal Imaging, ONVIF Compliant

The IQV-AC-203 Series PTZ Bi-Spectrum Camera is engineered for mission-critical applications in demanding environments, delivering reliable visual and thermal monitoring in one integrated system. It features a 2MP optical camera with 36× optical zoom and a 640×512 high-resolution thermal sensor with a 12µm pixel pitch, enabling long-range imaging and fire detection. Designed for proactive threat detection, the camera supports AI-powered analytics such as dual-spectrum intrusion detection, tripwire alerts, and intelligent classification of humans, vehicles, and boats. Its rugged, marine-grade aluminum housing ensures durability in extreme weather conditions and offers comprehensive protection against dust, water, lightning, and surge, certified to IP67 standards. Ideal for perimeter defense, industrial safety, and asset protection.

**INQUIVISION**  
PUSHING FORWARD LOOKING PERFORMANCE



### Additional Features

- Rugged Anti-Corrosion Aluminum Body
- IP67-Rated Weatherproof and Dustproof Protection
- True Day/Night Function
- Real-Time Full HD (1080p) Output
- 12µm Thermal Imaging Sensor with Long-Range Detection
- AI-Powered Video Analytics: Intrusion, Line Crossing,
- Human/Vehicle/Boat Classification, Fire Detection
- Electronic Image Stabilization
- ONVIF & SDK Compatibility



### TECHNICAL INFORMATION

GENERAL & MECHANICAL	
Operating Temperature	-40°C to +60°C
Ingress Protection	IP67 (Dustproof and Waterproof)
Operating Voltages	DC 12-24V, PoE (IEEE 802.3bt, Class 6)
Power Consumption	≤40W
Surge Protection	TVS 4000V Lightning and Surge Protection
Material	High-Strength Die-Cast Aluminum Alloy Shell
Relative Humidity	≤90% (non-condensing)
Wiper	Yes
Mounting Options	Pole-top mount
Dimensions (Φ × H)	Φ197mm × 316mm
Weight	Approximately 6.5 kg

CERTIFICATION & COMPLIANCE	
Certifications	CE, FCC
PTZ SPECIFICATION	
Pan Range	360° Endless
Pan Speed	0.05°/s – 80°/s
Tilt Range	-20° to +90°
Tilt Speed	0.05°/s – 80°/s
Preset Position	Up to 255 Presets
Patrol / Tours	Up to 6 Programmable Tours
Park Action	Pattern / Preset / Scan / Tour
Optical Zoom	36x Optical Zoom
Digital Zoom	16x Digital Zoom

## IQV-AC-203 SERIES

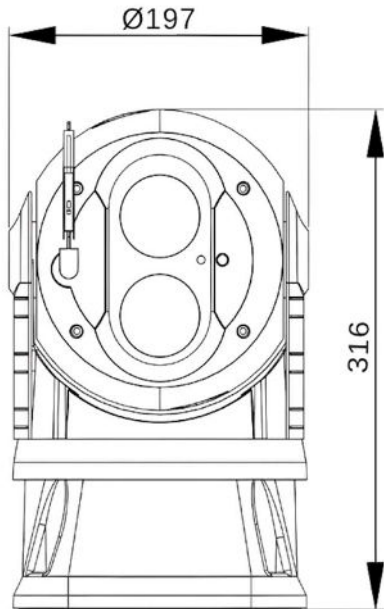
### CORROSION PROOF PTZ BI-SPECTRUM CAMERA

#### TECHNICAL INFORMATION

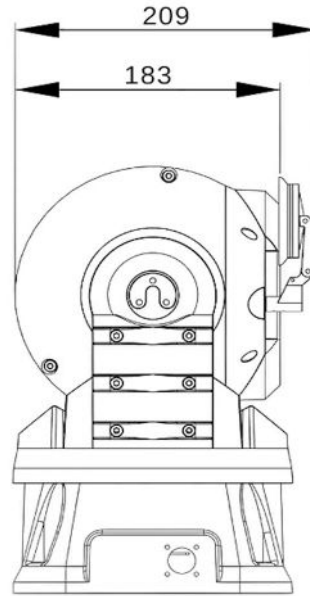
VISUAL CAMERA					THERMAL CAMERA		
Image Sensor	2MP, 1/2.8" Progressive Scan CMOS				Image Sensor	Vanadium Oxide Uncooled FPA	
Resolution	1920×1080 pixels				Resolution	640×512 pixels	
Frame Rate	Main Stream: 25fps (1920×1080, 1280×960, 1280×720) at 50Hz; 30fps (1920×1080, 1280×960, 1280×720) at 60Hz  Sub Stream: 25fps (704×576, 640×480, 352×288) at 50Hz; 30fps (704×480, 640×480, 352×240) at 60Hz  Third Stream: 25fps (704×576, 640×480, 352×288) at 50Hz; 30fps (704×480, 640×480, 352×240) at 60Hz				Spectral Range	8~14μm	
Compression	Video: H.265, H.264 Video Bit Rate: 32Kbps~16Mbps  Audio: G.711a, G.711u, G.722.1, G.726, MP2L2, AAC, PCM Audio Bit Rate: 64Kbps (G.711), 16Kbps (G.722.1, G.726), 32~192Kbps (MP2L2), 16~64Kbps (AAC)				NETD	≤35 mK (@F1.0, 25°C)	
Minimum Illumination	Color: 0.0005 Lux @(F1.67, AGC ON); B/W: 0.0001 Lux @(F1.67, AGC ON)				Focus Mode	Athermalized Fixed Focus	
Shutter Speed	1/25~1/100,000s; Supports Delayed Shutter				Focal Length	25mm	
Day/Night Mode	True Day/Night with IR-Cut Filter (ICR)				Field Of View (FOV)	17.4°×14°	
Lens	Focal Length: 5.1mm~153mm Optical Zoom: 36x Digital Zoom: 16x Field of View: 55.27°×32.26° to 2.66°×1.51° Aperture: F1.67~F3.67 Close Focus Distance: 100mm~1500mm				Color Palettes	10 Modes	
Image Settings	Color, Brightness, Sharpness, Contrast, Optical Defog, Electronic Image Stabilization				Video Compression	H.265/H.264	
Alarm Linkage	Video Recording, Snapshot, Email Alerts, PTZ Tracking, Audible & Visual Alarms, Alarm Output				Main Stream	25fps (1280×1024, 1024×768) at 50Hz; 30fps (1280×1024, 1024×768) at 60Hz	
Analytics	Fire Detection, Line Crossing Detection, Human/Vehicle/Boat Classification, Intrusion Detection				Sub-Stream	25fps (640×512) at 50Hz; 30fps (640×512) at 60Hz	
<b>DORI</b>					Smart Alarm	Fire Point Detection	
Zoom Position	Detect	Observe	Recognize	Identify	<b>LENS SELECTION</b>		
Wide (5.1 mm)	73.3m	29.3m	14.7m	7.3m	Lens	FOV (H × V) [°] @ 640×512	Minimum Focus Distance
Tele (153 mm)	1985.0m	793.9m	396.9m	198.5m	25mm	17.4° × 14° / 10.5° × 7.9°	0.316 m
					35mm	12.5° × 10.0° / 7.5° × 5.6°	0.229 m
					<b>NETWORK</b>		
					Interface	RJ45 10Base-T/100Base-TX	
					ONVIF	ONVIF (Profile S, Profile G)	
					Protocols	TCP/IP, ICMP, HTTP, HTTPS, FTP, DHCP, DNS, RTP, RTSP, RTCP, NTP, SMTP, SNMP, IPv6	

### DIMENSIONS

Front View



Side View



Bottom View

